

# PRODUCT INFORMATION PACKET

Model No: 5KH49PN3026X

Catalog No: H176

1/2-1/6 HP 2 speed Fan and Blower HVAC/R Motor, 1 phase, 1800/1800 RPM, 115 V, 56 Frame, ODP  
Self Cooled Motors



Regal and Marathon are trademarks of Regal Beloit Corporation or one of its affiliated companies.  
©2020 Regal Beloit Corporation, All Rights Reserved. MC017097E

REGAL

### Nameplate Specifications

Output HP	1/2-1/6 Hp	Output KW	0.37 kW
Frequency	60 Hz	Voltage	115 V
Current	8.0,4.2 A	Speed	1725/1140 rpm
Service Factor	1.25	Phase	1
Efficiency	64 %	Power Factor	0
Duty	Continuous	Insulation Class	B
Design Code	-	KVA Code	M
Frame	56	Enclosure	Drip Proof
Thermal Protection	AUTO	Ambient Temperature	40 °C
Drive End Bearing Size	6203	Opp Drive End Bearing Size	6203
UL	Recognized	CSA	Yes
CE	N		

### Technical Specifications

Electrical Type	Split Phase	Starting Method	SM
Poles	4	Rotation	Counterclockwise/Clockwise
Mounting	Resilient Base	Motor Orientation	ANY
Drive End Bearing	BALL	Opp Drive End Bearing	Ball
Frame Material	Rolled Steel	Overall Length	11.48 in
Frame Length	7.15 in	Shaft Diameter	0.630 in
Shaft Extension	1.88 in	Thru-bolts Extension	0 in
Connection Drawing	52A105385AC	Outline Drawing	52A109511P3

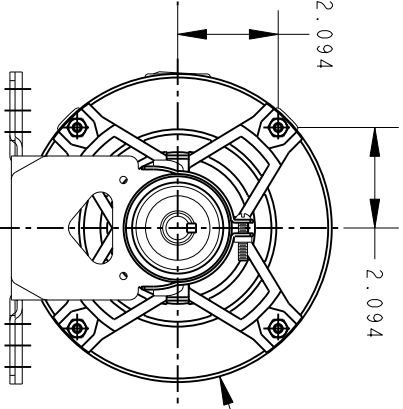
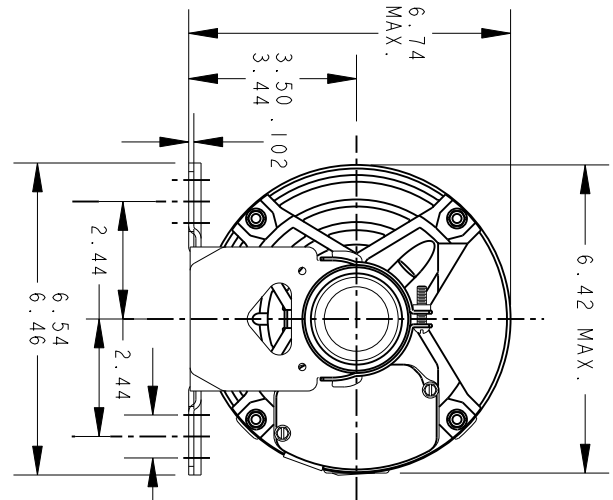
This is an uncontrolled document once printed or downloaded and is subject to change without notice. Date Created:03/11/2020

THIRD ANGLE PROJECTION

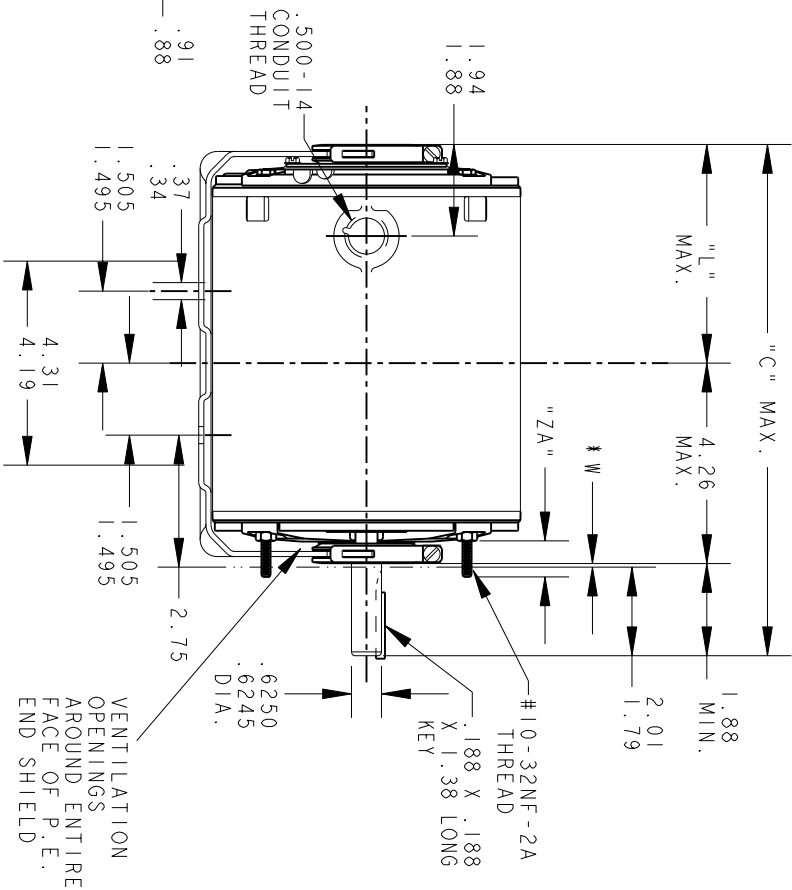


REVISIONS

REV.	DESCRIPTION	DATE	APPROVED
2	ADDED PART #4.	07/05/94	M.D. PAPE
3	CHG TO RBC FORMAT PER IS05-1777	03/16/06	SUDHA



VIEW OF P.E. END SHIELD



\* W IS A VARIABLE CLEARANCE DUE TO VARIATIONS IN PARTS AND ASSEMBLY

VENTILATION OPENINGS AROUND ENTIRE FACE OF P.E. END SHIELD

4	3	2	1	P
KH/K	KH/K	KH/K	KH/K	TYPE
49	49	46	46	GE
56	56	56	56	SIZE
12.01	11.48	10.88	10.88	NEMA "C"
5.75	5.22	4.62	4.62	FR. "L"
.62	.62	.62	.62	"ZA"

ALL DIMENSIONS ARE IN INCHES



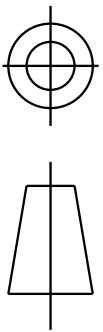
REGAL-BELOTT CORPORATION

OUTLINE

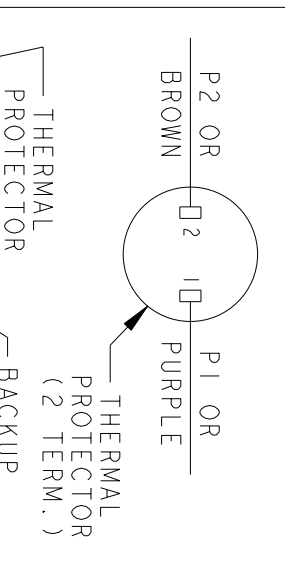
GENERAL PURPOSE MOTOR - DRIP PROOF - BALL BEARING - RESILIENT BASE EXTENDED CLAMP SCREWS FMF - 40 FRAME REDESIGN

FOR ADDITIONAL INFO REFER TO:	MODEL	MA MARKS	DATE
APPLIED PRACTICES	CHECKED	ENGRG	MFG
DIMENSIONS ARE IN INCHES	ISSUED	QUALITY	QUALITY
MATERIAL	SOLID MODEL: 52A109511	M.A.M.	03/29/94

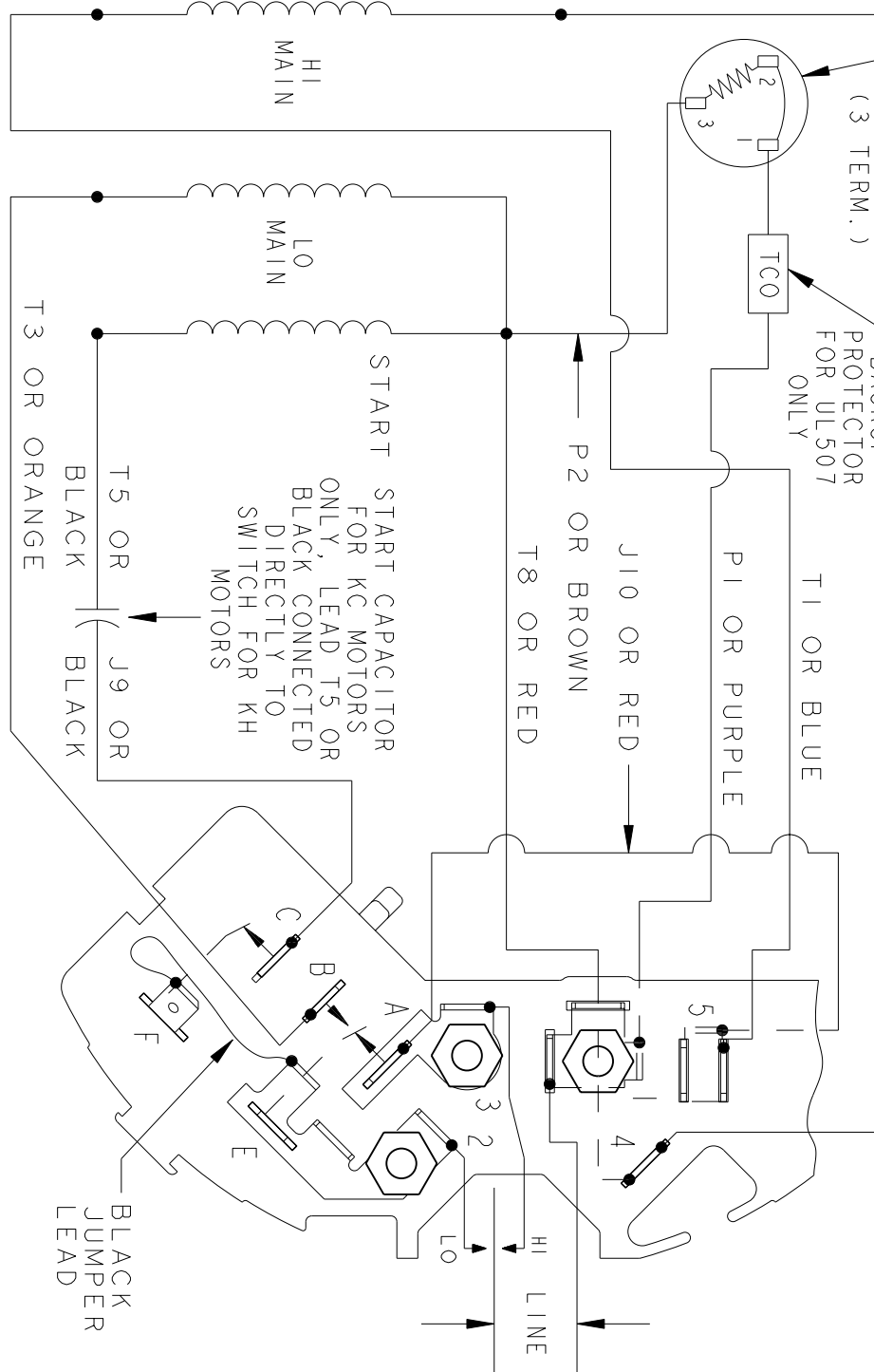
SCALE: 0.250	REF. No.:	SHEET 1 of 1
SIZE: DRAWING A	REV: 3	



REV.	DESCRIPTION	DATE	APPROVED
4	UPDATED FORMAT	12/19/05	MAM



EITHER ROTATION  
SINGLE VOLTAGE  
TYPE KC WITH  
THERMAL PROTECTOR  
2 SPEED  
POLE CHANGING  
(HI SPEED START WINDING)  
T2 OR WHITE



NOTE #1 - TO REVERSE ROTATION INTERCHANGE BLUE (T1) AND WHITE (T2) LEADS.

NOTE #2 - WHEN MORE THAN ONE CAPACITOR IS USED CONNECT IN PARALLEL.

REF. DIAG. - 121A866

SWITCH (D) - 115D958BA  
CONNECTION LABEL - 52X332052

SIGNATURES	DATE
MODEL M.D. PAPE	12/14/87
DETAIL	
CHECKED	
ENGRG	
MFG	
FOR ADDITIONAL INFO REFER TO:	
APPLIED PRACTICES	QUALITY
DIMENSIONS ARE IN INCHES	ISSUED
MATERIAL	SOLID MODEL: 52A105385AC

**REGAL-BELOTT CORPORATION**

**CONNECTION DIAGRAM**

F.M.F. 5KH35KN14IG5

**52A105385AC**

SCALE: 1.000 REF. No.: . . .

SIZE DRAWING A

REV 4